

**PLEASE CHECK WWW.MOLEX.COM FOR LATEST PART INFORMATION**

**Part Number:** [0850132000](#)  
**Status:** **Active**  
**Overview:** [din\\_41612](#)  
**Description:** 2.54mm (.100") Pitch DIN 41612 Header, Style R/2 Reverse, 32 Circuits

**Documents:**

[3D Model](#) [Product Specification PS-85013-0001 \(PDF\)](#)  
[Drawing \(PDF\)](#) [RoHS Certificate of Compliance \(PDF\)](#)

**Agency Certification**

CSA LR19980  
 UL E29179

**General**

Product Family Backplane Connectors  
 Series [85013](#)  
 Application Daughtercard  
 Comments 4 Day Industrial Environment (S02)  
 Component Type PCB Header  
 Overview [din\\_41612](#)  
 Product Name IEC 603-2/DIN 41612  
 Style R/2

**Physical**

Circuits (Loaded) 32  
 Circuits (maximum) 48  
 Circuits Detail Rows A & C  
 Durability (mating cycles max) 500  
 Flammability 94V-0  
 Guide to Mating Part No  
 Keying to Mating Part Yes  
 Number of Columns 16  
 Number of Pairs Open Pin Field  
 Number of Rows 3  
 Orientation Vertical  
 PC Tail Length (in) 0.114 In  
 PC Tail Length (mm) 2.90 mm  
 PCB Locator No  
 PCB Retention Yes  
 Packaging Type Bag  
 Pitch - Mating Interface (in) 0.100 In  
 Pitch - Mating Interface (mm) 2.54 mm  
 Pitch - Term. Interface (in) 0.100 In  
 Pitch - Term. Interface (mm) 2.54 mm  
 Polarized to PCB No  
 Stackable No  
 Surface Mount Compatible (SMC) No  
 Temperature Range - Operating -55°C to +125°C

**Electrical**

Current - Maximum per Contact 2.5A  
 Data Rate 622.0 Mbps  
 Real Signals (per 25mm) 30  
 Shield Type N/A  
 Shielded No  
 Voltage - Maximum 1000V (RMS)

**EU RoHS** **China RoHS**

**Compliance Status**

**Not Reviewed**

**REACH SVHC**

**Not Reviewed**

**Halogen-Free**

**Status**

**Not Reviewed**

**Need more information on product environmental compliance?**

Email [productcompliance@molex.com](mailto:productcompliance@molex.com)  
 For a multiple part number RoHS Certificate of Compliance, [click here](#)

Please visit the [Contact Us](#) section for any non-product compliance questions.

**Search Parts in this Series**

[85013Series](#)

**Mates With**

[85042](#) , [85052](#) Backplane Header

**Material Info**

**Reference - Drawing Numbers**

Product Specification

Sales Drawing

PS-85013-0001

SD-85013-2000, SDA-85013-0002, SDA-85013-2000

This document was generated on 05/17/2010

**PLEASE CHECK [WWW.MOLEX.COM](http://WWW.MOLEX.COM) FOR LATEST PART INFORMATION**

10 9 8 7 6 5 4 3 2 1

VIEW ON MATING SIDE

C	A	A	A	A	A	A	A	A	A	A	A	A	A	A	A
D															
C	A	A	A	A	A	A	A	A	A	A	A	A	A	A	A
	2	3	4	5	6	7	8	9	10	11	12	13	14	15	16

A = 32 STANDARD CONTACTS L = 2.9

MARKING	STANDARD
PERFORMANCE LEVEL	G2/0 = CONTACT AREA LEVEL 2 / TERMINATION TIN
FLUX PROOF	NO
FIXING CLIP	NO
DIMENSIONS	SD-85013-0002 SHT I

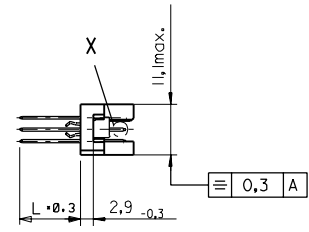
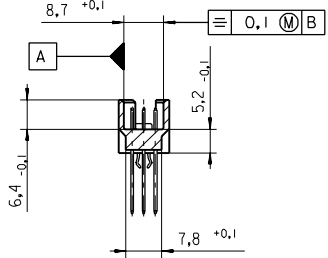
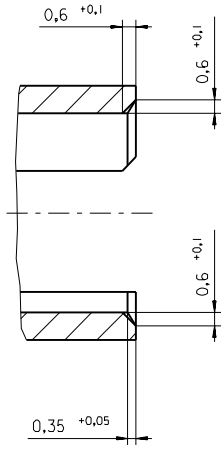
CONTACT SYMBOL	PERFORMANCE LEVEL	CONTACT POSITION NUMBER
A	G2/0	a1-a16, c1-c16

<b>ENTER DESCRIPTION</b> EC NO: I2006-0315 DRWN:SSUDHIR 2005/12/01 CHKD:KPRASAD 2005/12/02 APPR:KPRASAD 2005/12/02	QUALITY SYMBOLS ▽=0 ◻=0	GENERAL TOLERANCES (UNLESS SPECIFIED)		DIMENSION STYLE MM ONLY		SCALE ---	DESIGN UNITS METRIC	THIRD ANGLE PROJECTION		
			mm	INCH	DRAWN BY	DATE	TITLE 48 POS. MALE CONNECTOR ACC. DIN 41612 STYLE R/2 CONTACTS			
		4 PLACES	±---	±---	NS	2004/03/31				
		3 PLACES	±---	±---	CHECKED BY	DATE	MOLEX INCORPORATED			
2 PLACES	±---	±---	GL	2004/03/31						
1 PLACE	±---	±---	APPROVED BY	DATE	MATERIAL NO. 85013-2000 DOCUMENT NO. SD-85013-2000 SHEET NO. 1 OF 1					
ANGULAR		±---°	GL	2004/03/31						
DRAFT WHERE APPLICABLE MUST REMAIN WITHIN DIMENSIONS				SIZE A3	THIS DRAWING CONTAINS INFORMATION THAT IS PROPRIETARY TO MOLEX INCORPORATED AND SHOULD NOT BE USED WITHOUT WRITTEN PERMISSION					

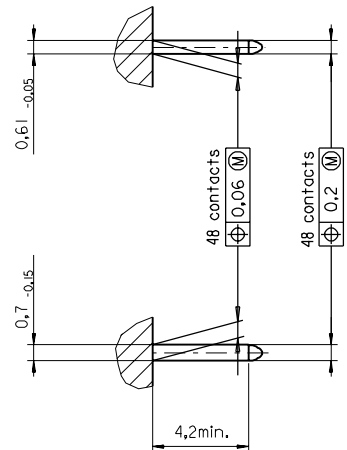
9 8 7 6 5 4 3 2 1

PART NO.  
DWG. NO.

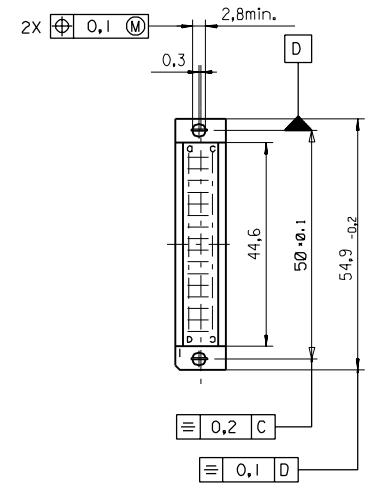
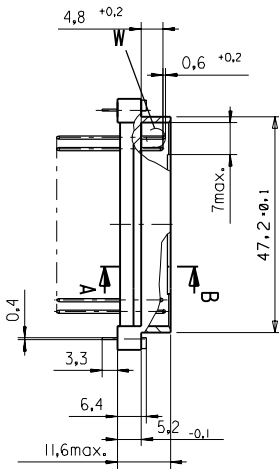
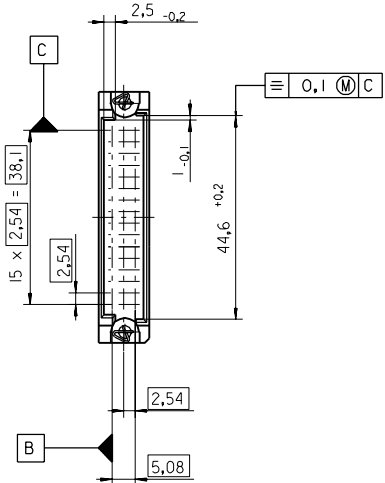
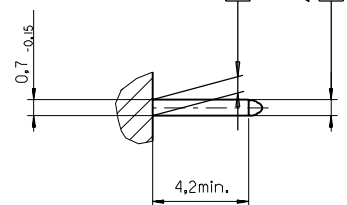
Section A - B  
5:1



View X  
5:1



View W  
5:1



FIRST ANGLE PROJECTION		REVISE ONLY ON CAD SYSTEM		SH.	REV.
UNLESS OTHERWISE SPECIFIED TOLERANCES: ANGULAR ± 2°	DRWG BY	SIGN	CAD/CAM PROJECT NAME	THIS DRAWING CONTAINS INFORMATION THAT IS PROPRIETARY TO MOLEX INC. & SHOULD NOT BE USED WITHOUT WRITTEN PERMISSION	
	Ca		85013000 821		
3 PLACE ± . ±	CHK'D BY	SIGN	TITLE		
2 PLACE ± . ±	KN		48 pos. Male connector acc. DIN 41612 style R/2 Dimensions		
1 PLACE ± . ±	APP'D BY	SIGN	MOLEX EUROPE		
DRAFT WHERE APPLICABLE MUST REMAIN WITHIN DIMENSIONS	SCALE		SHEET NO. DATE		
DESIGN DIMENSION <input checked="" type="checkbox"/> MM			1 OF 95/06/08		
EQUIVALENT DIMENSION <input type="checkbox"/> MM			PART NO.		SIZE
IF TWO DIMENSIONS ARE SHOWN THE UPPER IS THE DESIGN DIMENSION, LOWER IS SECONDARY			SDA-85013-0002		B

VIEW ON MATING SIDE

∩	A	A	A	A	A	A	A	A	A	A	A	A	A	A	A	A	A	A	A
∞																			
◁	A	A	A	A	A	A	A	A	A	A	A	A	A	A	A	A	A	A	A

1 2 3 4 5 6 7 8 9 10 11 12 13 14 15 16 17 18 19 20 21 22 23 24 25 26 27 28 29 30 31 32

A = 32 STANDARD CONTACTS L-2,9

Marking	Standard
Performance level	G2/0 = Contact area perform. level2 / Termination tin
Flux proof	no
Fixing clip	no
Dimensions	SDA-85013-0002 sht.1
Technical Data	PS-85013-0001

A	G2/0	a1-16	c1-16
Contact symbol	Perform. level	Contact position number	

first release see ECN No. 1868	REVISIONS		FOR PREVIOUS REVISIONS SEE MRI LIST	
	LTR	∇		
UNLESS OTHERWISE SPECIFIED TOLERANCES: ANGULAR ± 2° INCH METRIC	DRWG BY	SIGN	CAD/CAM PROJECT NAME	SH. REV.
3 PLACE ± . ± 2 PLACE ± . ± 1 PLACE ± . ±	Ca		s8501320 SO1	THIS DRAWING CONTAINS INFORMATION THAT IS PROPRIETARY TO MOLEX INC. & SHOULD NOT BE USED WITHOUT WRITTEN PERMISSION
DRAFT WHERE APPLICABLE MUST REMAIN WITHIN DIMENSIONS	CHK'D BY	SIGN	TITLE	
DESIGN DIMENSION <input type="checkbox"/> MM <input type="checkbox"/> IN.	KN		48 pos. Male connector acc. DIN 41612 style R/2 contacts arrangement	
EQUIVALENT DIMENSION <input type="checkbox"/> MM <input type="checkbox"/> IN.	APP'D BY	SIGN	SHEET NO. DATE	
IF TWO DIMENSIONS ARE SHOWN, THE UPPER IS THE DESIGN DIMENSION, LOWER IS SECONDARY	SCALE		1 OF 1 95/06/07	
			PART NO. DWG NO.	
			85013-2000 SDA-85013-2000	
			MOLEX® MOLEX EUROPE	